



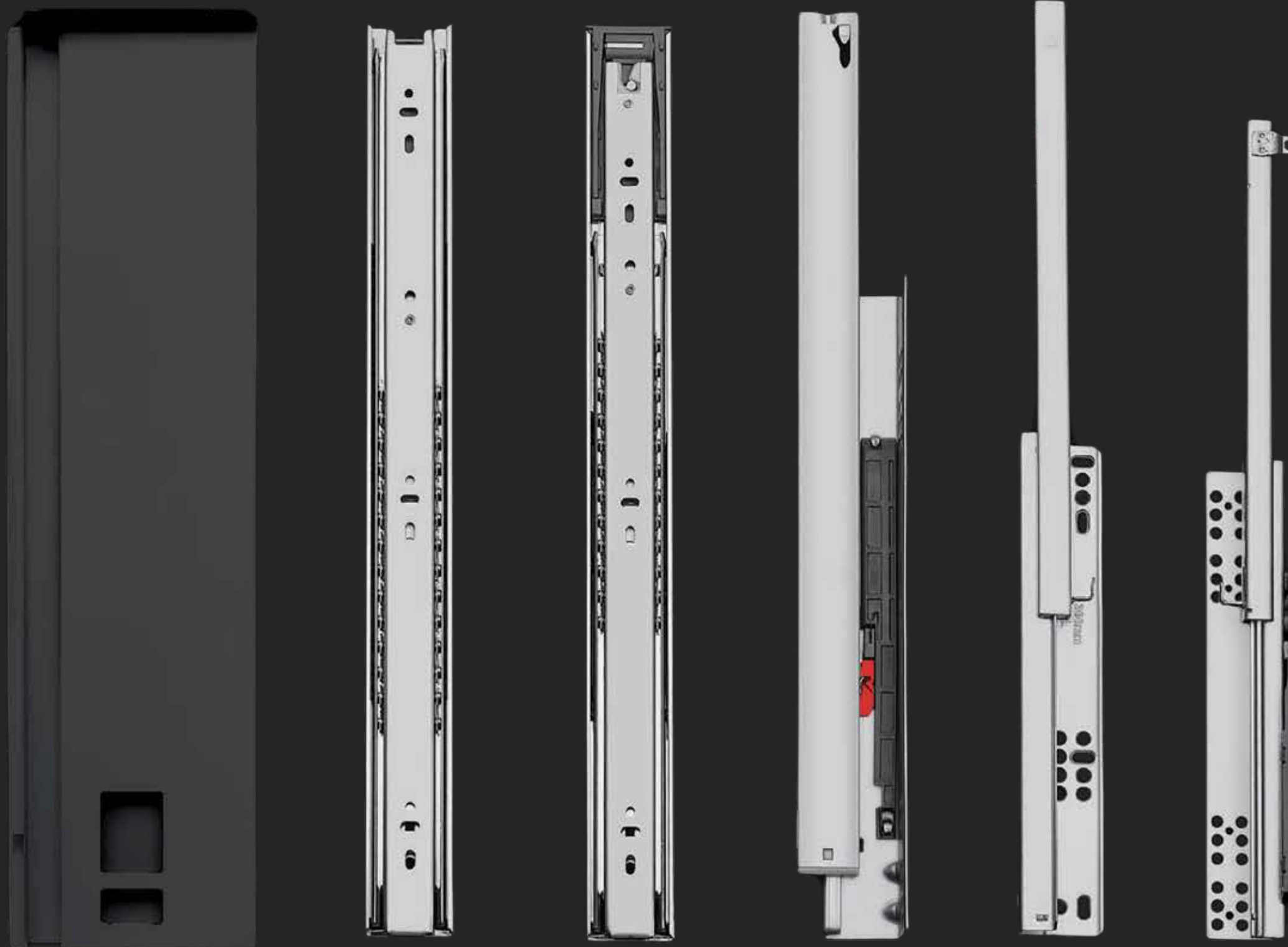
VERSATILE · LUXURY · INNOVATIVE

HINGE | SLIDES | ACCESSORIES

www.vellixindia.com



EMBRACE VERSATILITY
EMBRACE LUXURY



UNLEASH ELEGANCE
FOR YOUR HOME

VISION
WE SHARE WITH WORLD



MISSION
WE SHARE WITH YOU



TIMELESS SOPHISTICATION

Our hardware fittings are not just accessories, they are the embodiment of timeless sophistication. We understand that your furniture deserves nothing less than the best, and that's what we deliver

UNCOMPROMISING QUALITY

We don't compromise on quality, and neither should you. Our commitment to excellence ensures that every piece of hardware that bears our name is crafted with precision and attention to detail.

ELEGANCE IN EVERY DETAIL

We believe that true elegance lies in the details. Our hardware fittings are designed to enhance the beauty of your furniture, making every piece a work of art.

EXCEPTIONAL CRAFTSMANSHIP

Our craftsmen are masters of their trade, dedicated to creating hardware fittings that are not just functional but also exquisite. Each piece reflects their passion for perfection.





SLIDES

NOVA MOTION SLIDE	A1-A2
NOVA MOTION SOFTCLOSE	A3-A4

HINGES

SOFT-CLOSE HINGE	B1-B2
LINEAR HINGE	B3-B4
PROFILE HINGE	B5-B6
ONE TOUCH	B7-B8
CORNER HINGE	B9-B10
PIE HINGE	B9-B10
BLIND HINGE	B11-B12

SLIM METAL BOX SERIES

ELITE BOX	C1-C4
NOIR BOX	C5-C8
SLIMBOX ACCESSORIES	C9-C10

LIFT-UP SERIES

SOFTCLOSE GAS SPRING	D1-D2
REBOUNDER PUMP	D3-D4

KITCHEN ACCESSORIES

BOTTLE PULLOUT	E1-E2
PANTRY UNIT	E3-E4
UNIVERSAL MAGIC CORNER	E5-E6
SWING CORNER	E7-E8
ELVATOR BASKET	E9-E10
WICKER BASKET	E11-E12
DISH RACK	E13-E14
ROLLING SHUTTER	E15-E16
CUTLERY TRY	E17-E18
SLIDING WASTEBIN	E19-E20
ANITSKID MATTEROLL	E21-E22
DRAWER INLET	E23



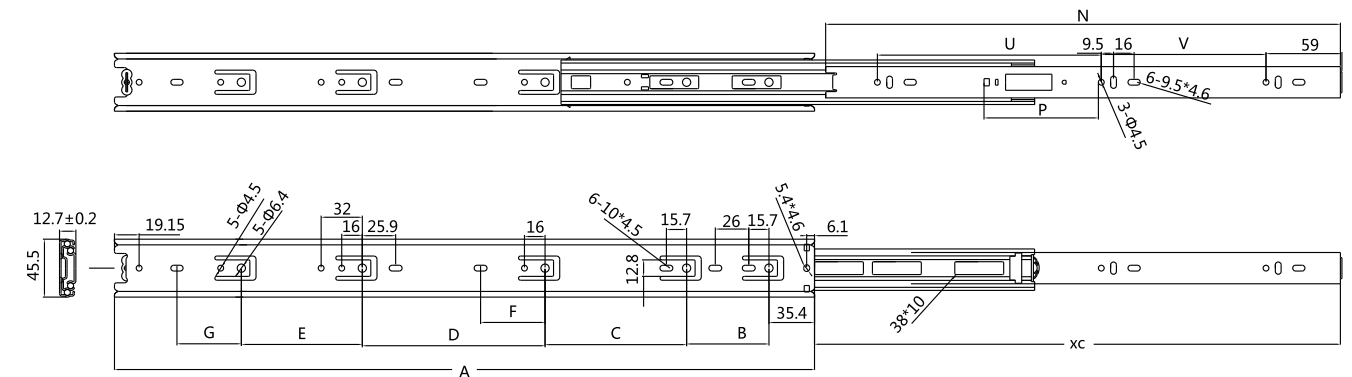
NOVA MOTION SLIDE

45 MM FULL EXTENSION BALL BEARING SLIDE



-  **72 HOURS SALT SPRAY TESTED**
-  **PRESS RELEASE MECHANISM**
-  **50,000 CYCLE (SGS CERTIFIED)**

DRAWING DESCRIPTION



NOVA MOTION SLIDE		
PRODUCT DESCRIPTION	PRODUCT CODE	MRP
NOVA MOTION SLIDE 8" ZINC / BLACK	VLX-NM-200MM 8" ELITE / NOIR	220
NOVA MOTION SLIDE 10" ZINC / BLACK	VLX-NM-250MM 10" ELITE / NOIR	275
NOVA MOTION SLIDE 12" ZINC / BLACK	VLX-NM-300MM 12" ELITE / NOIR	330
NOVA MOTION SLIDE 14" ZINC / BLACK	VLX-NM-350MM 14" ELITE / NOIR	385
NOVA MOTION SLIDE 16" ZINC / BLACK	VLX-NM-400MM 16" ELITE / NOIR	440
NOVA MOTION SLIDE 18" ZINC / BLACK	VLX-NM-450MM 18" ELITE / NOIR	495
NOVA MOTION SLIDE 20" ZINC / BLACK	VLX-NM-500MM 20" ELITE / NOIR	550
NOVA MOTION SLIDE 22" ZINC / BLACK	VLX-NM-550MM 22" ELITE / NOIR	605
NOVA MOTION SLIDE 24" ZINC / BLACK	VLX-NM-600MM 24" ELITE / NOIR	660

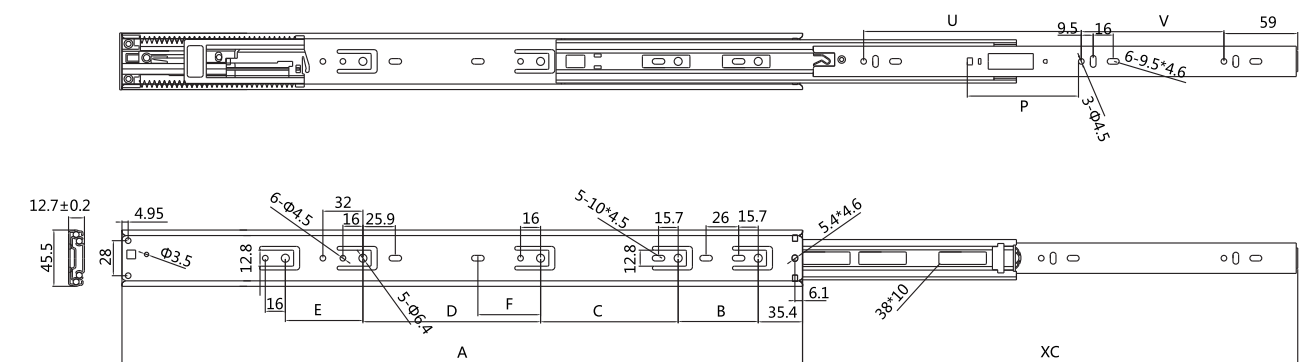


NOVA MOTION SOFTCLOSE

45MM FULL EXTENSION SOFTCLOSE BALL BEARING SLIDE



DRAWING DESCRIPTION



NOVA MOTION SOFTCLOSE		
PRODUCT DESCRIPTION	PRODUCT CODE	MRP
NOVA MOTION SOFTCLOSE 10"	VLX-NM-SC-250MM 10"	490
NOVA MOTION SOFTCLOSE 12"	VLX-NM-SC-300MM 12"	588
NOVA MOTION SOFTCLOSE 14"	VLX-NM-SC-350MM 14"	686
NOVA MOTION SOFTCLOSE 16"	VLX-NM-SC-400MM 16"	784
NOVA MOTION SOFTCLOSE 18"	VLX-NM-SC-450MM 18"	882
NOVA MOTION SOFTCLOSE 20"	VLX-NM-SC-500MM 20"	980



SOFT-CLOSE HINGE

3D TWO-WAY, ZERO ANGLE SOFT CLOSE HINGE

TRU MOTION[®]



ELITE COLLECTION-TRU MOTION HINGE

NOIR COLLECTION-TRU MOTION HINGE



TWO WAY BUFFERING



ZERO ANGLE SOFT CLOSE



80,000 CYCLE TESTED



72 HOURS SALT SPRAY TESTED

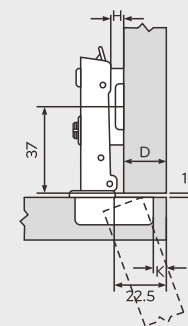


SUPER LOADING 5.5 KG

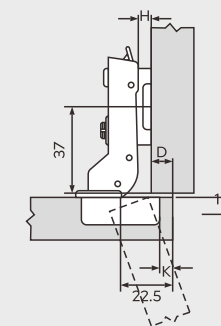


ANTI SHAKE TECHNOLOGY

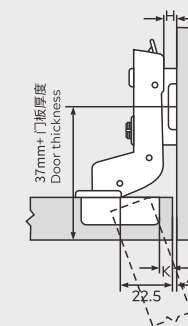
DRAWING DESCRIPTION



FULL OVERLAY HINGE



HALF OVERLAY HINGE



INSET HINGE

TRU MOTION HINGE		
PRODUCT DESCRIPTION	PRODUCT CODE	MRP
0° SOFT CLOSE 3D ZINC TruMotion	VLX-201-A3S-TM SC 3D C0 ELITE	325
8° SOFT CLOSE 3D ZINC TruMotion	VLX-201-B3S-TM SC 3D C8 ELITE	335
15° SOFT CLOSE 3D ZINC TruMotion	VLX-201-C3S-TM SC 3D C15 ELITE	335
0° SOFT CLOSE 3D BLACK TruMotion	VLX-201-A3S-TM SC 3D C0 NOIR	365
8° SOFT CLOSE 3D BLACK TruMotion	VLX-201-B3S-TM SC 3D C8 NOIR	375
15° SOFT CLOSE 3D BLACK TruMotion	VLX-201-C3S-TM SC 3D C15 NOIR	375

LINEAR HINGE

3D TWO-WAY, ZERO ANGLE SOFT CLOSE HINGE

TRU MOTION[®]



TWO WAY BUFFERING



SMALL ANGLE SOFT CLOSE



80,000 CYCLE TESTED



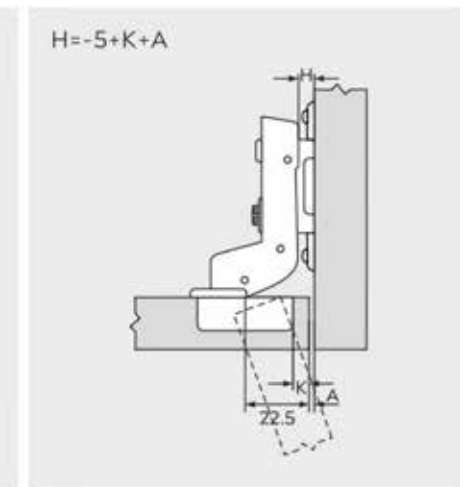
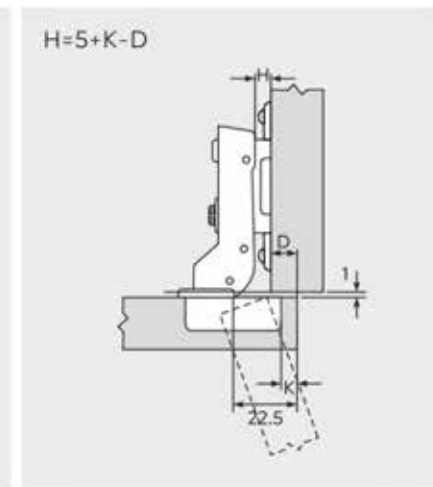
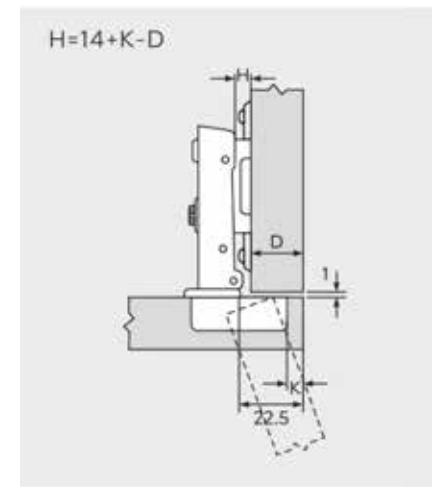
72 HOURS SALT SPRAY TESTED



AESTHETIC DESIGN



ANTI SHAKE TECHNOLOGY



LINEAR HINGE		
PRODUCT DESCRIPTION	PRODUCT CODE	MRP
0° SOFT CLOSE 3D LINEAR TruMotion	VLX-201-LH-A3S SC 3D C0 NOIR	460
8° SOFT CLOSE 3D LINEAR TruMotion	VLX-201-LH-B3S SC 3D C8 NOIR	470
15° SOFT CLOSE 3D LINEAR TruMotion	VLX-201-LH-C3S SC 3D C15 NOIR	470

PROFILE HINGE
3D TWO-WAY, ZERO ANGLE SOFT CLOSE HINGE



TWO WAY BUFFERING



ZERO ANGLE SOFT CLOSE



80,000 CYCLE TESTED



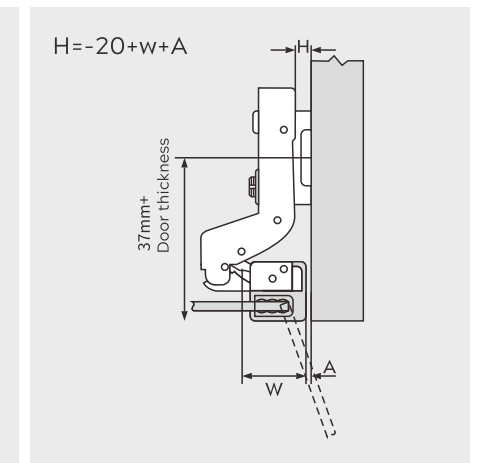
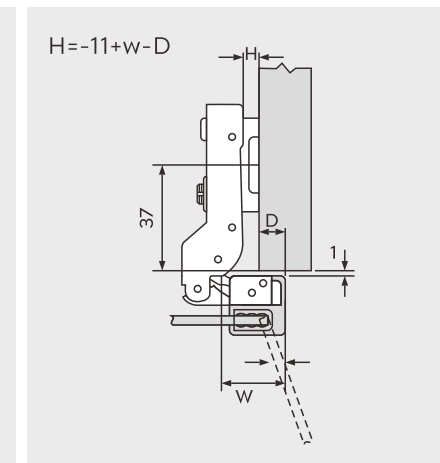
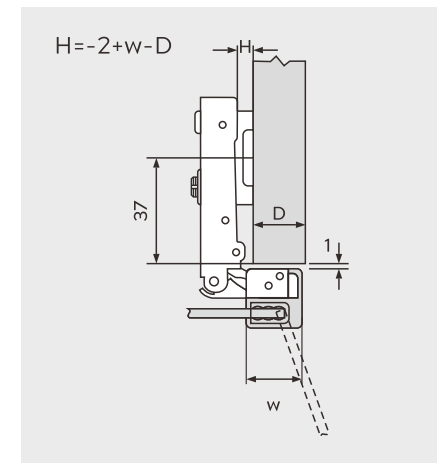
72 HOURS SALT SPRAY TESTED



SUPER LOADING 5.5 KG



ANTI SHAKE TECHNOLOGY



PROFILE HINGE		
PRODUCT DESCRIPTION	PRODUCT CODE	MRP
0° SOFT CLOSE 3D PROFILE TruMotion	VLX-401-PH-A3S SC 3D C0 NOIR	460
8° SOFT CLOSE 3D PROFILE TruMotion	VLX-401-PH-B3S SC 3D C8 NOIR	470
15° SOFT CLOSE 3D PROFILE TruMotion	VLX-401-PH-C3S SC 3D C15 NOIR	470

ONE TOUCH

3D SOFT OPEN HINGE



ELITE COLLECTION-ONE TOUCH



NOIR COLLECTION-ONE TOUCH



PUSH TO OPEN



SOFT OPEN HINGE



50,000 CYCLE TESTED



72 HOURS SALT SPRAY TESTED

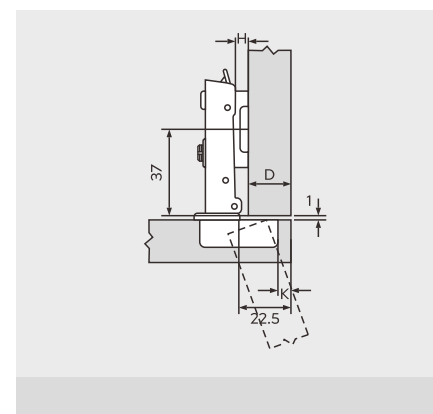


SUPER LOADING 4.5 KG

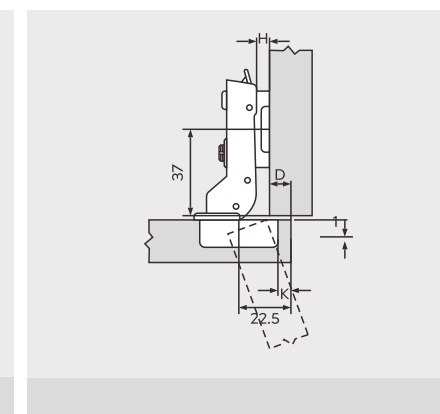


ANTI SHAKE TECHNOLOGY

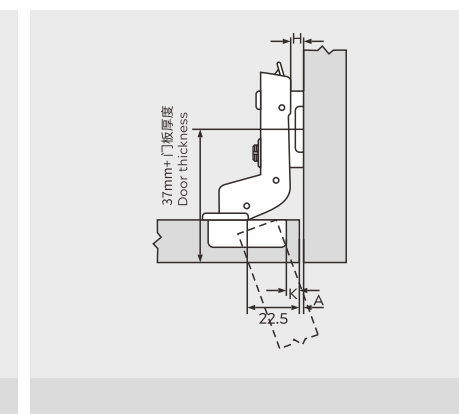
DRAWING DESCRIPTION



FULL OVERLAY HINGE



HALF OVERLAY HINGE



INSET HINGE

ONE TOUCH HINGE		
PRODUCT DESCRIPTION	PRODUCT CODE	MRP
0° ONE TOUCH 3D HINGE ZINC	VLX-901-OT-A3S SC 3D C0 ELITE	372
8° ONE TOUCH 3D HINGE ZINC	VLX-901-OT-B3S SC 3D C8 ELITE	382
15° ONE TOUCH 3D HINGE ZINC	VLX-901-OT-C3S SC 3D C15 ELITE	382
0° ONE TOUCH 3D HINGE BLACK	VLX-901-OT-A3S SC 3D C0 NOIR	419
8° ONE TOUCH 3D HINGE BLACK	VLX-901-OT-B3S SC 3D C8 NOIR	429
15° ONE TOUCH 3D HINGE BLACK	VLX-901-OT-C3S SC 3D C15 NOIR	429

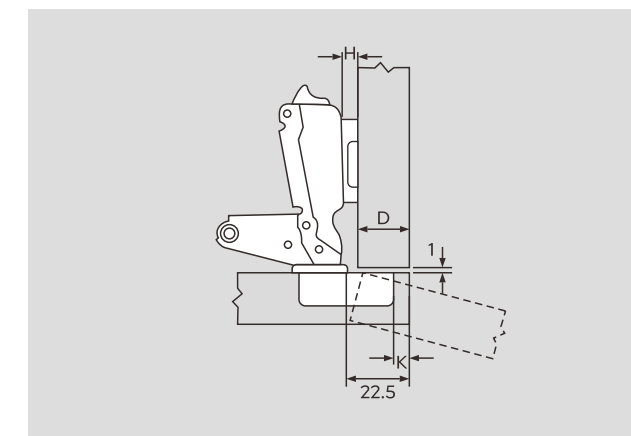


CORNER HINGE

3D SOFT CLOSE 165° HINGE



ELITE COLLECTION-SOFT CLOSE 3D 165° HINGE



DRAWING DESCRIPTION



3D
ADJUSTMENT



SOFT CLOSE
HINGE



72 HOURS SALT
SPRAY TESTED



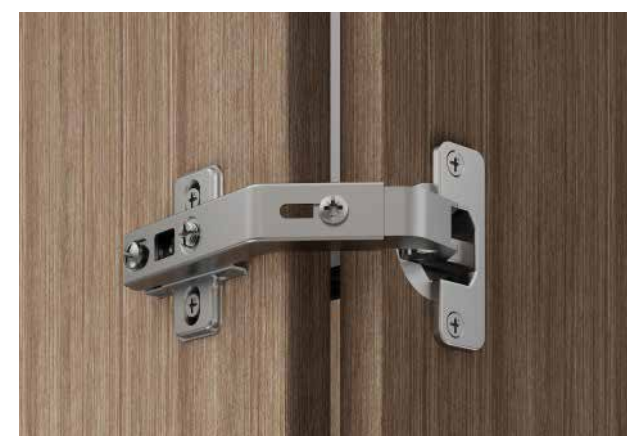
50,000 CYCLE
TESTED

CORNER HINGE

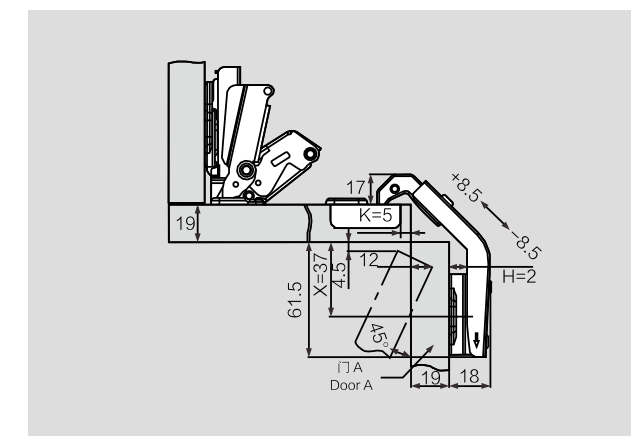
PRODUCT DESCRIPTION	PRODUCT CODE	MRP
0° CORNER SOFT CLOSE 3D HINGE	VLX-301-A3S SC 3D C0 ELITE	750

PIE HINGE

SLIDE ON 135° HINGE



ELITE COLLECTION-SLIDE ON 135° HINGE



DRAWING DESCRIPTION



TWO WAY
BUFFERING



72 HOURS SALT
SPRAY TESTED



50,000 CYCLE
TESTED

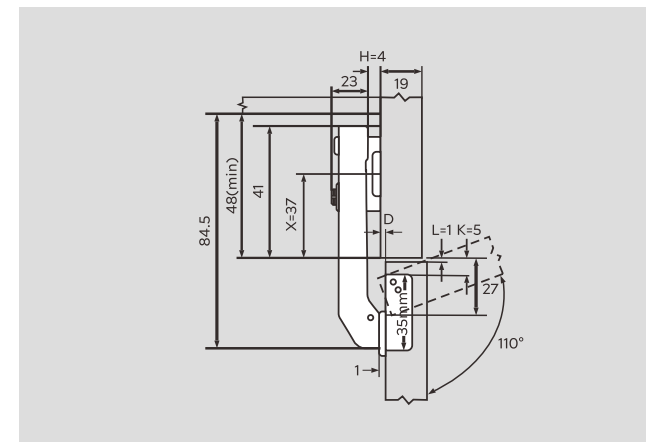
PIE HINGE

PRODUCT DESCRIPTION	PRODUCT CODE	MRP
135° PIE NORMAL HINGE	VLX-302-H2S STD ELITE	190

BLIND HINGE
3D SOFT CLOSE 90° HINGE



ELITE COLLECTION-SOFT CLOSE 3D 90° HINGE



DRAWING DESCRIPTION



3D ADJUSTMENT



SOFT CLOSE HINGE



72 HOURS SALT SPRAY TESTED



50,000 CYCLE TESTED

BLIND HINGE		
PRODUCT DESCRIPTION	PRODUCT CODE	MRP
BLIND HINGE	VLX-301-G3S SC 3D C0 ELITE	460



ELITE BOX
89MM SLIM METAL BOX SERIES



80,000 CYCLE
(SGS CERTIFIED)



DUST PROOF
BUFFER DESIGN



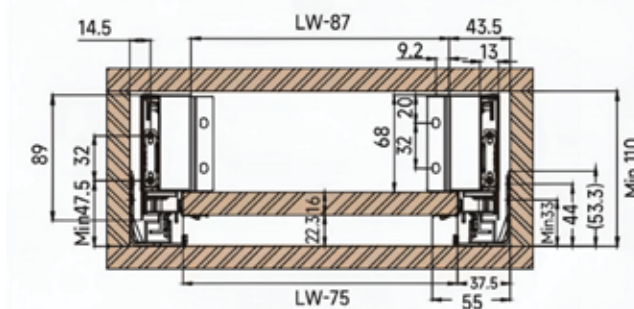
40 KG
CAPACITY



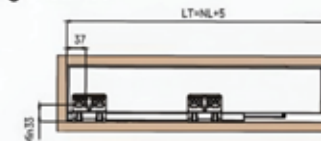
DUAL
SYNCHRO

DRAWING DESCRIPTION

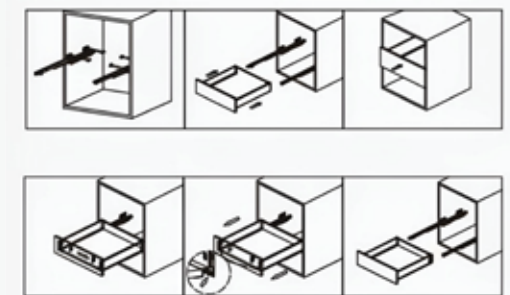
Panels Mounting Distance



Slides Mounting Distance



Drawer Installation



ELITE BOX 89 MM

PRODUCT DESCRIPTION	PRODUCT CODE	MRP
ELITEBOX 89 X 350 MM	VLX-DS-EB 89*350 MM ELITE	3060
ELITEBOX 89 X 400 MM	VLX-DS-EB 89*400 MM ELITE	3060
ELITEBOX 89 X 450 MM	VLX-DS-EB 89*450 MM ELITE	3160
ELITEBOX 89 X 500 MM	VLX-DS-EB 89*500 MM ELITE	3348
ELITEBOX 89 X 550 MM	VL X-DS-EB 89*550 MM ELITE	3448

ELITE BOX
121MM SLIM METAL BOX SERIES



ELITE BOX
172MM SLIM METAL BOX SERIES



80,000 CYCLE
(SGS CERTIFIED)



DUST PROOF
BUFFER DESIGN



40 KG
CAPACITY



DUAL
SYNCHRO



80,000 CYCLE
(SGS CERTIFIED)



DUST PROOF
BUFFER DESIGN



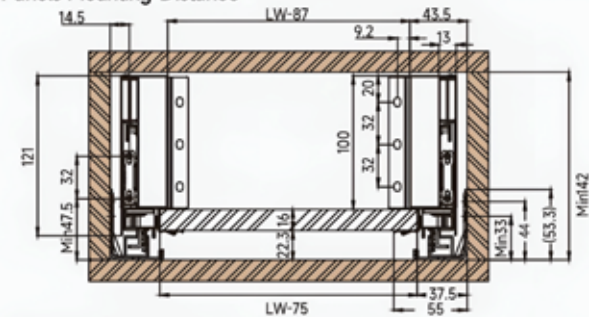
40 KG
CAPACITY



DUAL
SYNCHRO

DRAWING DESCRIPTION

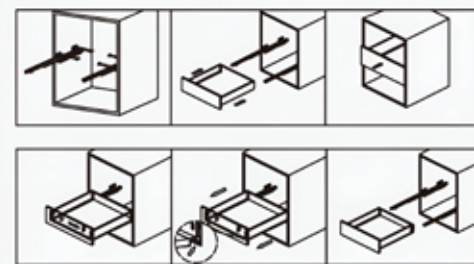
Panels Mounting Distance



Slides Mounting Distance

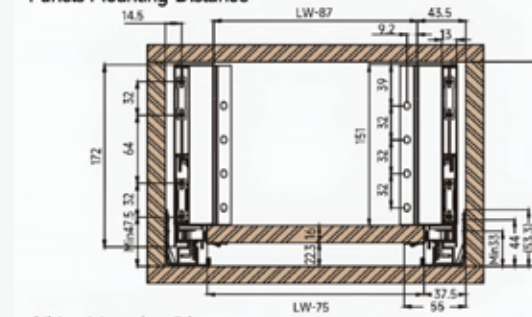


Drawer Installation



DRAWING DESCRIPTION

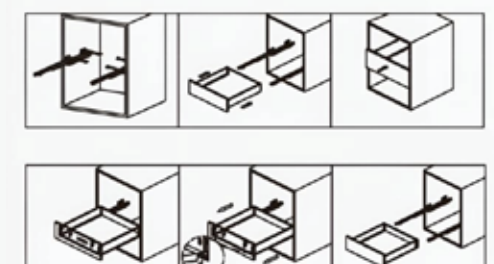
Panels Mounting Distance



Slides Mounting Distance



Drawer Installation



ELITE BOX 121 MM

PRODUCT DESCRIPTION	PRODUCT CODE	MRP
ELITEBOX 121 X 350 MM	VLX-DS-EB 121*350 MM ELITE	3560
ELITEBOX 121 X 400 MM	VLX-DS-EB 121*400 MM ELITE	3560
ELITEBOX 121 X 450 MM	VLX-DS-EB 121*450 MM ELITE	3660
ELITEBOX 121 X 500 MM	VLX-DS-EB 121*500 MM ELITE	3725
ELITEBOX 121 X 550 MM	VLX-DS-EB 121*550 MM ELITE	3966

ELITE BOX 172 MM

PRODUCT DESCRIPTION	PRODUCT CODE	MRP
ELITEBOX 172 X 350 MM	VLX-DS-EB 172*350 MM ELITE	4060
ELITEBOX 172 X 400 MM	VLX-DS-EB 172*400 MM ELITE	4060
ELITEBOX 172 X 450 MM	VLX-DS-EB 172*450 MM ELITE	4160
ELITEBOX 172 X 500 MM	VLX-DS-EB 172*500 MM ELITE	4102
ELITEBOX 172 X 550 MM	VLX-DS-EB 172*550 MM ELITE	4450



NOIR BOX

NOIR BOX



EFFORTLESSLY ASSEMBLE USING
PRESS-AND-RELEASE MECHANISM,
TOOL FREE DRAWER REMOVAL



DYNAMIC CARRYING CAPACITY OF 45 KG
WITH HIGH STABILITY AND PERFECT SAG VALUE SG



45
KG

NOIR BOX



FLEXIBLY ADJUSTS TO VARIOUS ENVIRONMENTS AS TIME PROGRESSES



NOIR BOX

89MM BLACK SLIM METAL BOX SERIES



- 80,000 CYCLE (SGS CERTIFIED)
- DUST PROOF BUFFER DESIGN
- 45 KG CAPACITY
- DUAL SYNCHRO
- AESTHETIC DESIGN
- ARCHIMEDEAN SPIRAL

NOIR BOX 89 MM		
PRODUCT DESCRIPTION	PRODUCT CODE	MRP
NOIRBOX MATT BLACK 89 X 500MM	VLX-DS-NB 89*500 MM NOIR	3550

NOIR BOX

121MM BLACK SLIM METAL BOX SERIES



- 80,000 CYCLE (SGS CERTIFIED)
- DUST PROOF BUFFER DESIGN
- 45 KG CAPACITY
- DUAL SYNCHRO
- AESTHETIC DESIGN
- ARCHIMEDEAN SPIRAL

NOIR BOX 121 MM		
PRODUCT DESCRIPTION	PRODUCT CODE	MRP
NOIRBOX MATT BLACK 121 X 500MM	VLX-DS-NB 121*500 MM NOIR	3927

NOIR BOX

172MM BLACK SLIM METAL BOX SERIES



- 80,000 CYCLE (SGS CERTIFIED)
- DUST PROOF BUFFER DESIGN
- 45 KG CAPACITY
- DUAL SYNCHRO
- AESTHETIC DESIGN
- ARCHIMEDEAN SPIRAL

NOIR BOX 172 MM		
PRODUCT DESCRIPTION	PRODUCT CODE	MRP
NOIRBOX MATT BLACK 172 X 500MM	VLX-DS-NB 172*500 MM NOIR	4304



SLIMBOX ACCESSORIES

INNER DRAWER ACCESSORIES



89 MM INNER DRAWER
(A/B)+E



121 MM INNER DRAWER
(A/B)+(C/E)+F



172 MM INNER DRAWER
(A/B)+(C/E)+G

SLIMBOX ACCESSORIES			
S.NO	PRODUCT DESCRIPTION	PRODUCT CODE	MRP
A	FRONT PANEL 600 MM GREY / BLACK	VLX-DS-ACC-FP-600 MM ELITE/NOIR	1070
B	FRONT PANEL 1200 MM GREY / BLACK	VLX-DS-ACC-FP-1200 MM ELITE/NOIR	2080
C	FRONT RAIL 600 MM GREY / BLACK	VLX-DS-ACC-FPRL-600 MM ELITE/NOIR	385
D	FRONT RAIL 1200 MM GREY / BLACK	VLX-DS-ACC-FPRL-1200 MM ELITE/NOIR	795
E	FRONT CONNECTOR 89 MM GREY / BLACK	VLX-DS-ACC-FC-89 MM ELITE/NOIR	220
F	FRONT CONNECTOR 121 MM GREY / BLACK	VLX-DS-ACC-FC-121 MM ELITE/NOIR	388
G	FRONT CONNECTOR 172 MM GREY / BLACK	VLX-DS-ACC-FC-172 MM ELITE/NOIR	505



SLIMBOX ACCESSORIES		
PRODUCT DESCRIPTION	PRODUCT CODE	MRP
SIDE SQUARE RAIL 450 MM GREY / BLACK	VLX-DS-ACC-SQRL-450 MM ELITE/NOIR	535
SIDE SQUARE RAIL 500 MM GREY / BLACK	VLX-DS-ACC-SQRL-500 MM ELITE/NOIR	545
SIDE SQUARE RAIL 550 MM GREY / BLACK	VLX-DS-ACC-SQRL-550 MM ELITE/NOIR	555

PNEUMATIC PUMP

SOFT CLOSE GAS SPRING



**COPPER
HYDROLIC SEAL**



**SOFT
CLOSE**

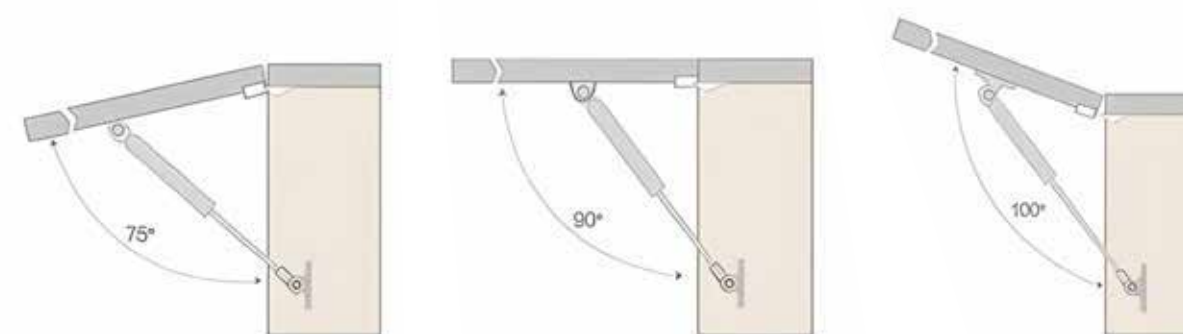


**48 HOURS SALT
SPRAY TESTED**



**50,000 CYCLE
TESTED**

DRAWING DESCRIPTION



PNEUMATIC PUMP		
PRODUCT DESCRIPTION	PRODUCT CODE	MRP
PNEUMATIC PUMP 60 N SILVER / BLACK	VLX-PP-SC-60 N ELITE / NOIR	448
PNEUMATIC PUMP 80 N SILVER / BLACK	VLX-PP-SC-80 N ELITE / NOIR	448
PNEUMATIC PUMP 100 N SILVER / BLACK	VLX-PP-SC-100 N ELITE / NOIR	448
PNEUMATIC PUMP 150 N SILVER / BLACK	VLX-PP-SC-150 N ELITE / NOIR	468
PNEUMATIC PUMP 200 N SILVER / BLACK	VLX-PP-SC-200 N ELITE / NOIR	468
PNEUMATIC PUMP 250 N SILVER / BLACK	VLX-PP-SC-250 N ELITE / NOIR	478

REBOUNDER PUMP

4TH GEN 360° PUSH CATCHER



40 N REBOUNDER



25 N REBOUNDER



360° ADJUSTMENT



TRIGGER DISTANCE 1.7MM



POM MATERIAL



70,000 CYCLE TESTED

REBOUNDER PUMP		
PRODUCT DESCRIPTION	PRODUCT CODE	MRP
40 N REBOUNDER	VLX-PR-360-40N	190
25 N REBOUNDER	VLX-PR-25N WHITE	180



ROTATING INNER CORE CAN ADJUST THE GAP SIZE



360° AUTOMATIC FINE ADJUSTMENT ENHANCE THE STABILITY



BOTTLE PULLOUT

SIDE MOUNTED PULLOUT BASKET



DESIGN

THE SIDE-INSTALLED BASKET FRAME INGENUOUSLY TACKLES STORAGE CHALLENGES IN COMPACT KITCHENS, ENHANCING SPACE EFFICIENCY.

FUNCTIONS

UTILIZING A FULLY CONCEALED SILENT SOFT-CLOSING SLIDE ENSURES SMOOTH RACK SLIDING, MAINTAINING SEAMLESS OPERATION .

FEATURES

WHETHER INSTALLED ON THE LEFT OR RIGHT, THE BASKET BUCKLE DESIGN AND ADJUSTABLE UP-AND-DOWN SPARING ACCOMMODATE THE DIVERSE HEIGHT REQUIREMENT SOFITEMS .

BOTTLE PULLOUT		
PRODUCT DESCRIPTION	PRODUCT CODE	MRP
BOTTLE PULL OUT 200 GREY	VLX-KA-OS/IS-BPO-2B 200MM ELITE	7850
BOTTLE PULL OUT 250 GREY	VLX-KA-OS/IS-BPO-2B 250MM ELITE	8440
BOTTLE PULL OUT 300 GREY	VLX-KA-OS/IS-BPO-2B 300MM ELITE	8740
BOTTLE PULL OUT 350 GREY	VLX-KA-OS/IS-BPO-2B 350MM ELITE	9600
BOTTLE PULL OUT 200 BLACK	VLX-KA-OS/IS-BPO-2B 200MM NOIR	8635
BOTTLE PULL OUT 250 BLACK	VLX-KA-OS/IS-BPO-2B 250MM NOIR	9284
BOTTLE PULL OUT 300 BLACK	VLX-KA-OS/IS-BPO-2B 300MM NOIR	9614
BOTTLE PULL OUT 350 BLACK	VLX-KA-OS/IS-BPO-2B 350MM NOIR	10560



PANTRY UNIT

HIGH CABINET PANTRY UNIT



DESIGN

BY USING ECO-FRIENDLY MATERIALS AND A DOUBLE SPECIAL BOARD SURROUND, THE BASKET IS STRONG AND ATTRACTIVE, WITH IMPROVED WEIGHT-BEARING. INFUSED WITH EUROPEAN STYLE, THE CABINETRY EXUDES REFINE MENT

FUNCTIONS

UTILIZING A FULLY CONCEALED SILENT SOFT-CLOSING SLIDE ENSURES SMOOTH RACK SLIDING, MAINTAINING SEAMLESS OPERATION.

FEATURES

WHETHER INSTALLED ON THE LEFT OR RIGHT, THE BASKET BUCKLE DESIGN AND ADJUSTABLE UP-AND-DOWN SPARING ACCOMMODATE THE DIVERSE HEIGHT REQUIREMENTS OF ITEMS .

PANTRY UNIT		
PRODUCT DESCRIPTION	PRODUCT CODE	MRP
PANTRY UNIT 600 MM 6+6 LAYER GREY	VLX-KA-OS/IS-PU-12B-600MM ELITE	33600
PANTRY UNIT 450 MM 6+6 LAYER GREY	VLX-KA-OS/IS-PU-12B-450MM ELITE	30500
PANTRY UNIT 600 MM 4+4 LAYER GREY	VLX-KA-OS/IS-PU-8B-600MM ELITE	32310
PANTRY UNIT 450 MM 4+4 LAYER GREY	VLX-KA-OS/IS-PU-8B-450MM ELITE	29520
PANTRY UNIT 600 MM 6+6 LAYER BLACK	VLX-KA-OS/IS-PU-12B-600MM NOIR	35280
PANTRY UNIT 450 MM 6+6 LAYER BLACK	VLX-KA-OS/IS-PU-12B-450MM NOIR	32025
PANTRY UNIT 600 MM 4+4 LAYER BLACK	VLX-KA-OS/IS-PU-8B-600MM NOIR	33925
PANTRY UNIT 450 MM 4+4 LAYER BLACK	VLX-KA-OS/IS-PU-8B-450MM NOIR	30996



UNIVERSAL MAGIC CORNER BLIND CORNER PULLOUT BASKET



ELITE COLLECTION-UNIVERSAL MAGIC CORNER



NOIR COLLECTION-UNIVERSAL MAGIC CORNER

DESIGN

UTILIZING THE CORNER SPACE EFFICIENTLY, A DOUBLE-DECK 4-BASKET COMBINATION IS DESIGNED FOR EASY INSTALLATION WITHOUT DISTINGUISHING BETWEEN LEFT AND RIGHT SIDES, SAVING TIME AND EFFORT WHILE PROVIDING CONVENIENT STORAGE.

FUNCTIONS

THE SPLIT LINKAGE MECHANISM SIGNIFICANTLY IMPROVES THE DOOR'S BUFFERING EFFECT, ENSURING USERS EXPERIENCE OPTIMAL COMFORT AND USABILITY.

FEATURES

UTILIZING DIE-CAST ZINC ALLOY FOR ALL SUPPORTING COMPONENTS ENHANCES THE STRUCTURAL INTEGRITY, INFUSING EUROPEAN ELEGANCE INTO THE ENTIRE CABINET FOR A MORE STYLISH AND REFINED LOOK.

UNIVERSAL MAGIC CORNER		
PRODUCT DESCRIPTION	PRODUCT CODE	MRP
UNIVERSAL MAGIC CORNER GREY	VLX-KA-OS/IS-UMC ELITE	24400
UNIVERSAL MAGIC CORNER BLACK	VLX-KA-OS/IS-UMC NOIR	25620



SWING CORNER
BLIND CORNER S-CAROUSELL



ELITE COLLECTION-SWING CORNER



NOIR COLLECTION-SWING CORNER

DESIGN

MAXIMIZE CORNER SPACE WITH AN S-SHAPED DESIGN FOR EASY ACCESS TO ALL ITEMS IN THE CABINET, ENABLING CONVENIENT STORAGE.

FUNCTIONS

THE SPLIT LINKAGE MECHANISM SIGNIFICANTLY IMPROVES THE DOOR'S BUFFERING EFFECT, ENSURING USERS EXPERIENCE OPTIMAL COMFORT AND USABILITY.

FEATURES

UTILIZING DIE-CAST ZINC ALLOY FOR ALL SUPPORTING COMPONENTS ENHANCES THE STRUCTURAL INTEGRITY, INFUSING EUROPEAN ELEGANCE INTO THE ENTIRE CABINET FOR A MORE STYLISH AND REFINED LOOK.

SWING CORNER		
PRODUCT DESCRIPTION	PRODUCT CODE	MRP
SWING CORNER LEFT GREY	VLX-KA-SC L 900MM ELITE	14300
SWING CORNER RIGHT GREY	VLX-KA-SC R 900MM ELITE	14300
SWING CORNER LEFT BLACK	VLX-KA-SC L 900MM NOIR	16800
SWING CORNER RIGHT BLACK	VLX-KA-SC R 900MM NOIR	16800



ELVATOR BASKET

PULL DOWN CABINET ORGANIZER



ELITE COLLECTION-SWING CORNER



NOIR COLLECTION-SWING CORNER

DESIGN

COMPACT, SPACE-SAVING STRUCTURE INTEGRATES SEAMLESSLY INTO MODULAR KITCHENS, ADDING A PREMIUM, HIGH-TECH EDGE TO CONTEMPORARY KITCHEN INTERIORS.

FUNCTIONS

ENGINEERED FOR EASE OF ACCESS, IT SMOOTHLY GLIDES DOWN TO BRING STORED ITEMS WITHIN REACH, MAKING OVERHEAD STORAGE MORE CONVENIENT AND ERGONOMIC.

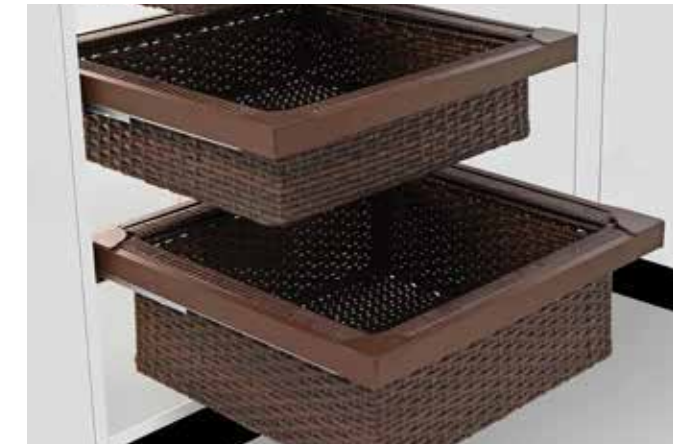
FEATURES

THIS PULL-DOWN UNIT FEATURES A SOFT LIFT-ASSIST SYSTEM FOR SMOOTH MOVEMENT, ANTI-SLIP SHELVES FOR SECURE STORAGE, AND HIGH LOAD CAPACITY.

ELVATOR BASKET		
PRODUCT DESCRIPTION	PRODUCT CODE	MRP
PULL DOWN CABINET ORGANIZER 600 MM GREY	VLX-KA-OS/IS-PDU 600 MM ELITE	22950
PULL DOWN CABINET ORGANIZER 900 MM GREY	VLX-KA-OS/IS-PDU 900 MM ELITE	25600
PULL DOWN CABINET ORGANIZER 600 MM BLACK	VLX-KA-OS/IS-PDU 600 MM NOIR	24100
PULL DOWN CABINET ORGANIZER 900 MM BLACK	VLX-KA-OS/IS-PDU 900 MM NOIR	26880

WICKER BASKET

SOFT CLOSE ALUMINIUM WICKER BASKET



SOFT CLOSE



50,000 CYCLE TESTED



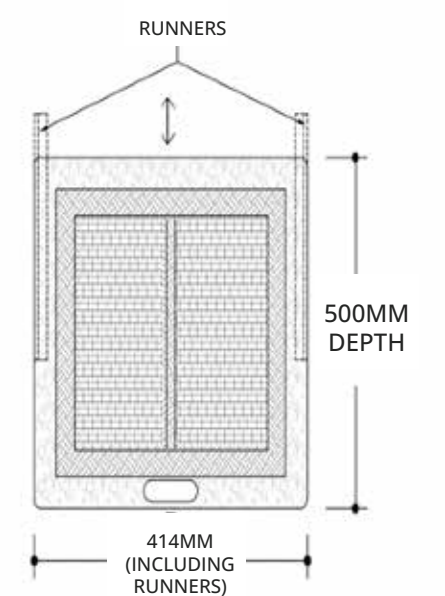
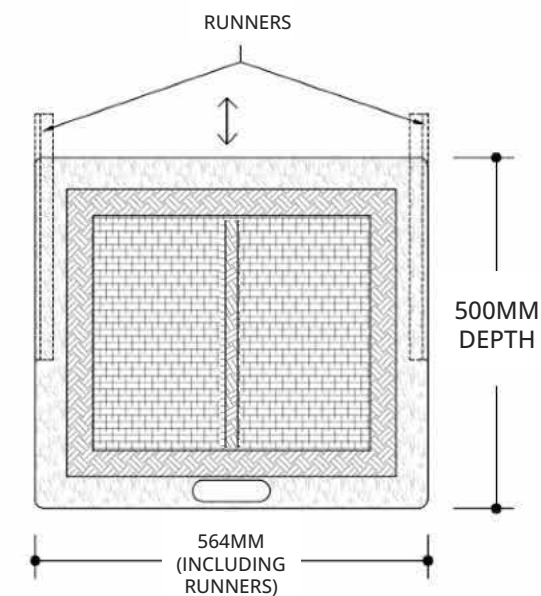
40 KG CAPACITY



AESTHETIC DESIGN

ALUMINIUM WICKER BASKET

PRODUCT DESCRIPTION	PRODUCT CODE	MRP
ALUMINIUM WICKER BASKET 450X100MM	VLX-KA-AL-WB-SC-450*100 MM DB	7350
ALUMINIUM WICKER BASKET 450X150MM	VLX-KA-AL-WB-SC-450*150 MM DB	7450
ALUMINIUM WICKER BASKET 450X200MM	VLX-KA-AL-WB-SC-450*200 MM DB	7580
ALUMINIUM WICKER BASKET 600X100MM	VLX-KA-AL-WB-SC-600*100 MM DB	7690
ALUMINIUM WICKER BASKET 600X150MM	VLX-KA-AL-WB-SC-600*150 MM DB	7930
ALUMINIUM WICKER BASKET 600X200MM	VLX-KA-AL-WB-SC-460*200 MM DB	8220





DISH RACK

SS DISH RACK WITH DRAINT RAY



**AESTHETIC
DESIGN**



**PREVENTS
RUSTING**



**72 HOURS SALT
SPRAY TESTED**



**STAINLESS
STEEL**



DISH RACK		
PRODUCT DESCRIPTION	PRODUCT CODE	MRP
DISH RACK 600 MM CROME	VLX-KA-DR-600MM ELITE	1750
DISH RACK 700 MM CROME	VLX-KA-DR-700MM ELITE	1990
DISH RACK 800 MM CROME	VLX-KA-DR-800MM ELITE	2260
DISH RACK 900 MM CROME	VLX-KA-DR-900MM ELITE	2560
DISH RACK 1000 MM CROME	VLX-KA-DR-1000MM ELITE	3050
DISH RACK 600 MM BLACK	VLX-KA-DR-600MM NOIR	2250
DISH RACK 700 MM BLACK	VLX-KA-DR-700MM NOIR	2640
DISH RACK 800 MM BLACK	VLX-KA-DR-800MM NOIR	3040
DISH RACK 900 MM BLACK	VLX-KA-DR-900MM NOIR	3360



ROLLING SHUTTER

PVC ROLLING SHUTTER



ELITE COLLECTION-ROLLING SHUTTER



NOIR COLLECTION-ROLLING SHUTTER



AESTHETIC DESIGN



SMOOTH SLIDING



SPACE SAVING SOLUTION



CASSETTE MECHANISM

ROLLING SHUTTERS PVC		
PRODUCT DESCRIPTION	PRODUCT CODE	MRP
ROLLING SHUTTER 600 MM PVC BLACK/SILVER	VLX-KA-RS-PVC 600MM NOIR/ ELITE	16200
ROLLING SHUTTER 450 MM PVC BLACK	VLX-KA-RS-PVC450MM NOIR	16100
ROLLING SHUTTER GLASS 900 MM BLACK	VLX-KA-RS-PVC 900 MM NOIR	24600



AESTHETIC DESIGN



SMOOTH SLIDING



SPACE SAVING SOLUTION



CASSETTE MECHANISM

ROLLING SHUTTER GLASS		
PRODUCT DESCRIPTION	PRODUCT CODE	MRP
ROLLING SHUTTER GLASS 600 MM BLACK	VLX-KA-RS-GL 600 MM NOIR	32800



CUTLERY TRAY

PVC CUTLERY TRAY



ELITE COLLECTION-CUTLERY TRAY



NOIR COLLECTION-CUTLERY TRAY



AESTHETIC DESIGN



EASY TO CLEAN

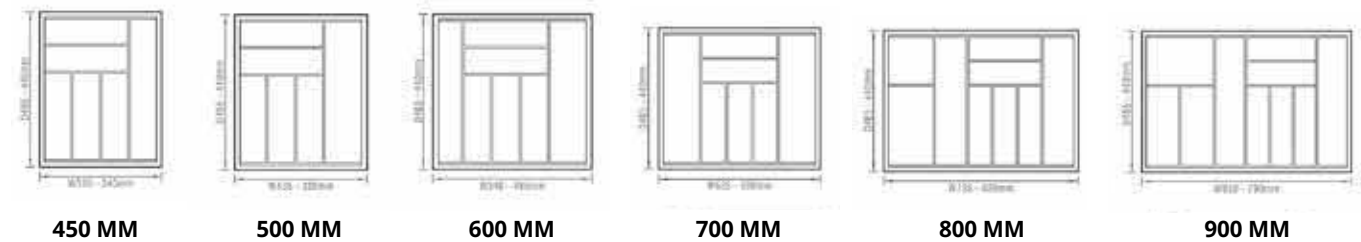


DUSTPROOF MATERIAL



FOOD GRADE MATERIAL

DRAWING DESCRIPTION



CUTLERY TRAY		
PRODUCT DESCRIPTION	PRODUCT CODE	MRP
PVC CUTLERY 450 MM GREY / BLACK	VLX-CT-450 MM ELITE / NOIR	730
PVC CUTLERY 500 MM GREY / BLACK	VLX-CT-500 MM ELITE / NOIR	760
PVC CUTLERY 600 MM GREY / BLACK	VLX-CT-600 MM ELITE / NOIR	850
PVC CUTLERY 700 MM GREY / BLACK	VLX-CT-700 MM ELITE / NOIR	1080
PVC CUTLERY 800 MM GREY / BLACK	VLX-CT-800 MM ELITE / NOIR	1290
PVC CUTLERY 900 MM GREY / BLACK	VLX-CT-900 MM ELITE / NOIR	1450



SLIDING WASTEBIN

PULLOUT BIN



AESTHETIC DESIGN



SOFT CLOSE



WET/DRY WASTE SORTING



DETACHABLE, CLEANABLE BINS

SLIDING WASTEBIN

PRODUCT DESCRIPTION	PRODUCT CODE	MRP
PULL OUT TRASH BIN GREY	VLX-KA-POB-2B-40 LTR ELITE	10400
PULL OUT TRASH BIN GREY	VLX-KA-POB-2B-22 LTR ELITE	6500

AUTOLID WASTEBIN

SWING OUT BIN



HANDS FREE OPERATION



STAINLESS STEEL



DETACHABLE BIN



AESTHETIC DESIGN

AUTO LID WASTE BIN 8 LTR

PRODUCT DESCRIPTION	PRODUCT CODE	MRP
DUST BIN 8 LTR BLACK	VLX-KA-RB 8 LTR SS NOIR	2850

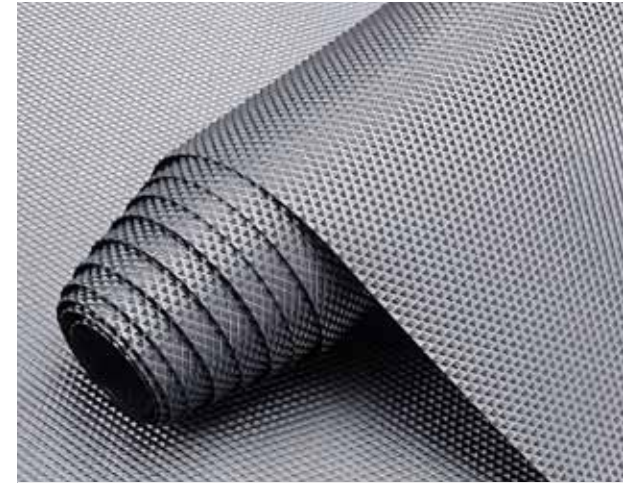
AUTO LID WASTE BIN 14 LTR

PRODUCT DESCRIPTION	PRODUCT CODE	MRP
DUST BIN 14 LTR GREY	VLX-KA-RB 14 LTR SS ELITE	3550
DUST BIN 14 LTR BLACK	VLX-KA-RB 14 LTR SS NOIR	3550

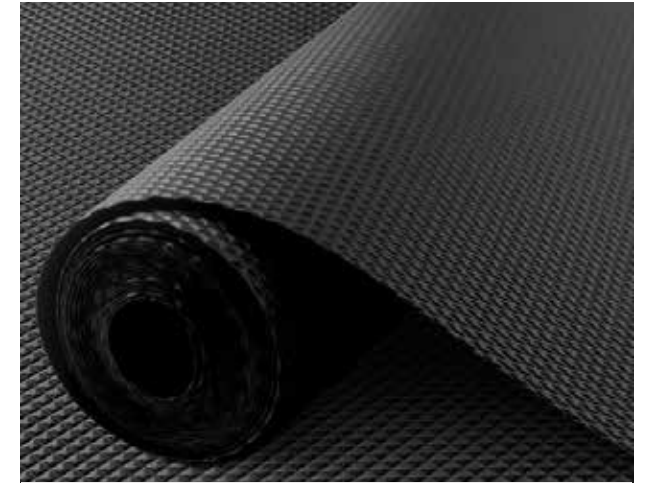


ANTISKID MATTEROLL

NON-SLIP DRAWER LINER



ELITE COLLECTION-ANTI SKID MAT



NOIR COLLECTION-ANTI SKID MAT



AESTHETIC DESIGN



CUSTOMIZABLE SIZE



EASY TO CLEAN



NON-SLIP SURFACE

ANTI SKID DRAWER LINER

PRODUCT DESCRIPTION	PRODUCT CODE	MRP
ANTI SKID MAT 20" X 5 MTR GREY	VLX-KA-ASM 500*5 MTR ELITE	1020
ANTI SKID MAT 20" X 5 MTR GREY	VLX-KA-ASM 500*20 MTR ELITE	3820
ANTI SKID MAT 20" X 5 MTR BLACK	VLX-KA-ASM 500*5 MTR NOIR	1110
ANTI SKID MAT 20" X 5 MTR BLACK	VLX-KA-ASM 500*20 MTR NOIR	4130



DRAWER INLET
ADJUSTABLE DRAWER INLET



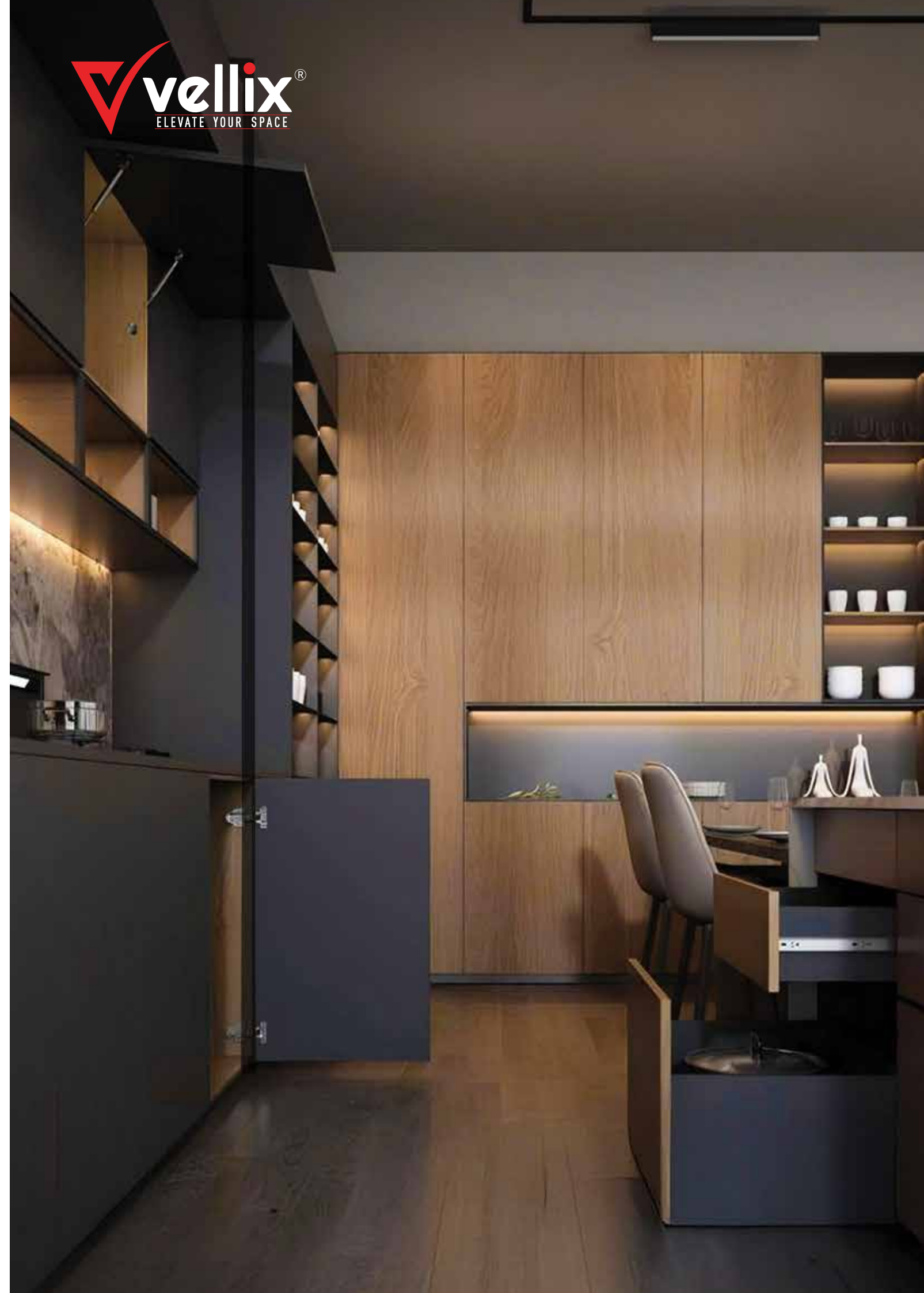
ADJUSTABLE WOODEN DRAWER INLET

PRODUCT DESCRIPTION	PRODUCT CODE	MRP
ADJUSTABLE WOODEN CUTLERY 450 TO 600 MM	VLX-KI-CT-WA-450/600 MM	4700
ADJUSTABLE WOODEN CUTLERY 600 TO 900 MM	VLX-KI-CT-WA-600/900 MM	4950
WOODEN ROD SEPERATOR 600 MM	VLX-KI-WPRS-600 MM	6950
WOODEN ROD SEPERATOR 900 MM	VLX-KI-WPRS-900 MM	8500






DRAWER INLET

PRODUCT DESCRIPTION	PRODUCT CODE	MRP
WIRE FITMENT CUP AND SAUCER	VLX-KI-CW-CSP-500 MM SS	650
WIRE FITMENT THALI	VLX-KI-CW-TP-500 MM SS	4950
WIRE FITMENT PLATE	VLX-KI-PP-500 MM SS	6950
ABS BOWL INLET	VLX-KI-P-BO-500 MM NOIR	1150
ABS PLATE INLET	VLX-KI-P-PO-500 MM NOIR	1350





CUSTOMER CARE:

-  +91 9376221100
-  info@vellixindia.com
-  www.vellixindia.com

